

MAX HD4

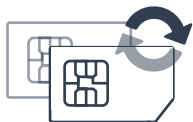
Quad 4G LTE Mobile Router

PEPWAVE
Broadband Possibilities



Quad 4G LTE Mobile Router

The HD4 delivers outstanding performance from all your connections with the help of SpeedFusion bandwidth bonding and intelligent load balancing.



Quad Embedded Cellular and Redundant SIM Slots

Quad Cellular and Redundant SIM slots allow you to use up to four different cellular providers for bandwidth bonding, data overage protection or eliminating blind spots.



Fleet Tracking and Management

With built-in GPS fleet tracking and InControl 2 cloud-based management, you can keep tabs on location and manage your mobile network from any Internet-connected device.



Terminal Block for Secure Power Supply

MAX HD4 is equipped with a terminal block for secure installation in vehicles and other locations.



SpeedFusion Bandwidth Bonding and Seamless Failover

SpeedFusion bandwidth bonding technology bonds all connected bandwidth into a single superfast stream, using the same or different cellular providers.



Customize Captive Portal

Branding your captive portal is as easy as uploading your logo and terms & conditions. You can easily set bandwidth allowance and access duration per user or manage access using RADIUS.



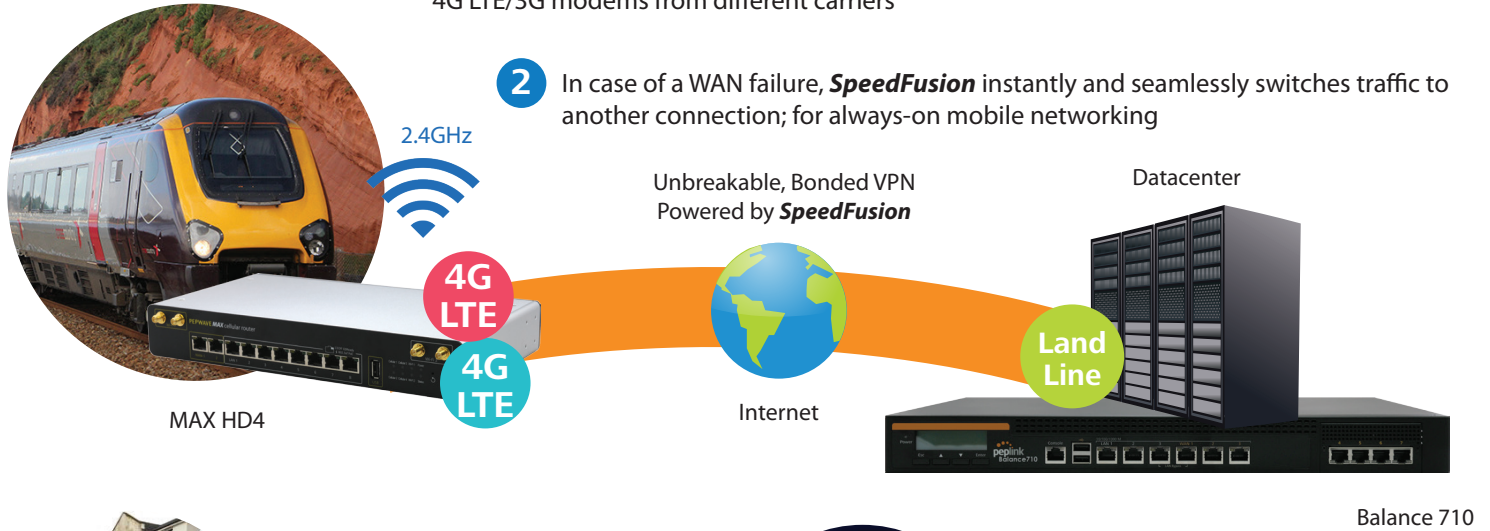
Certified Toughness

In addition to rugged metal enclosure, HD4 has certifications on:
Shock and vibration resistance (EN 61373:1999, IEC 61373:1999)
Railway applications (EN 50155)
Electromagnetic Compatibility (EN 61000)

Applications

Rapid Deployment /Construction Site – Fast and Reliable Mobile Networking

- 1 **SpeedFusion** creates an **unbreakable and bonded connection** using multiple 4G LTE/3G modems from different carriers



- 3 Visitors, members of the press and Cabinet officials have access to fast secure Wi-Fi

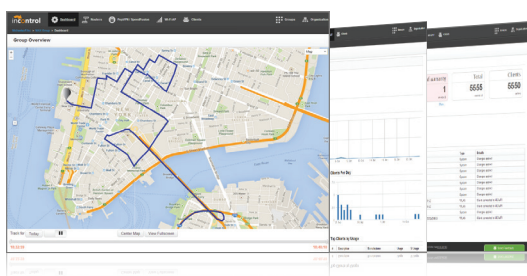
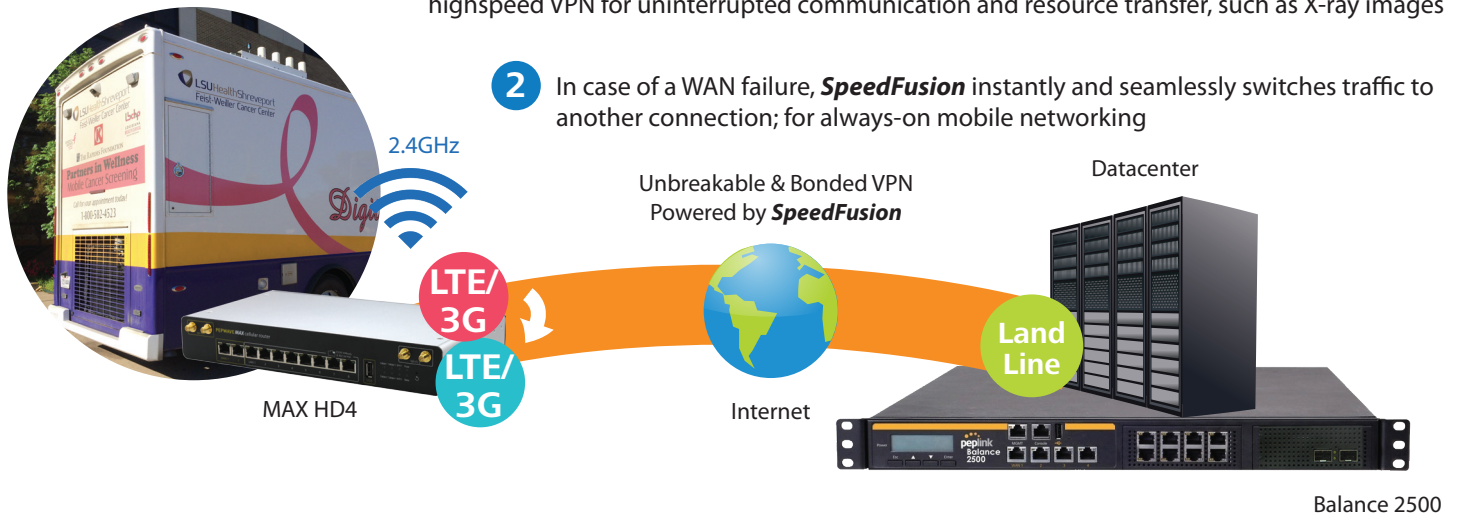


- 4 Construction personnel are able to transmit large blueprints



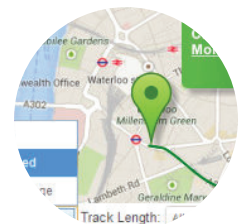
Command Center/Large Image Transfer – Fast and Reliable Mobile Networking

- 1 MAX HD4 bond the bandwidths of the 4 cellular connections, create highspeed VPN for uninterrupted communication and resource transfer, such as X-ray images



InControl²

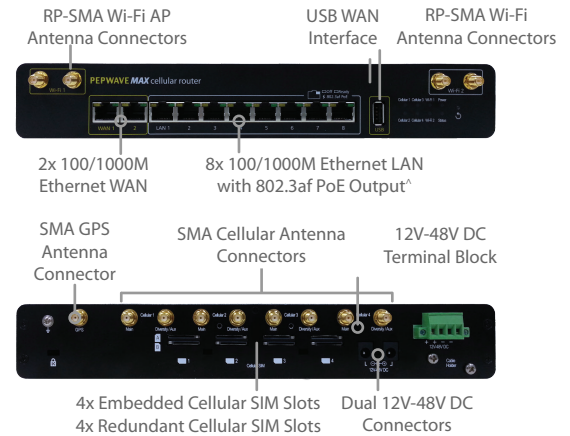
Setup. Manage. Report.



- 3 InControl 2 provides complete cloud-based device management, monitoring, and reporting and let you check vehicle speed, view cellular coverage, and play back route histories in real-time

Specifications

MAX HD4	
WAN Interface	1x USB Interface 2x GE 4x Embedded LTE Modems with Redundant SIM Slots
LAN Interface	8x GE
Wi-Fi Interface	802.11a/b/g/n 300Mbps 2x2 MIMO Wi-Fi WAN and/or AP
Router Throughput	300Mbps
Cellular and GPS Antenna Connector	8x SMA Antenna Connectors 1x SMA GPS Antenna Connector 4x Dual Band Wi-Fi Antennas
Power Input	DC Jack/Terminal Block: 12V - 48V, 4A
Power Output	Up to Eight 802.3af PoE Outputs*
Power Consumption	38W (max.)
Dimensions	1.9 x 11.5 x 6.9 inches 50 x 292 x 177 mm
Weight	4.20 pounds 1.9 kg
Operating Temperature	-40° - 149°F -40° - 65°C
Humidity	15% - 95% (non-condensing)
Certifications	FCC, CE, RoHS, E-Mark EN 61373:1999 IEC 61373:1999 : Shock and Vibration Resistance: EN 50155: Railway Applications EN 61000: Electromagnetic Compatibility
Warranty	1-Year Limited Warranty



*PoE Kit is available separately.

Ordering Information

Product Code	Carrier	Embedded Modem	4G Bands/Frequencies (MHz)	3G Bands/Frequencies (MHz)
MAX-HD4-LTE-US-T	AT&T/Mobile	4	4G LTE: B2/1900, B4/AWS, B5/850, B13/700, B17/700, B25/1900	WCDMA/HSDPA/HSUPA/HSPA+/DC-HSPA+: B1/2100, B2/1900, B4/AWS, B5/850, B8/900 EV-DO Rev.A: BC0/800, BC1/1900, BC10/800
MAX-HD4-LTE-E-T	Europe/International	4	4G LTE: B1/2100, B3/1800, B7/2600, B8/900, B20/800	WCDMA/HSDPA/HSUPA/HSPA+/DC-HSPA+: B1/2100, B2/1900, B5/850, B6/800, B8/900

MAX HD4 - PoE Activation Kit

Product Code	Description
ACW-609	Includes 1x 48V Power Supply and PoE License Enables 4x 802.3af PoE Output Ports Requires 2x ACW-609 to enable all PoE ports in the MAX HD4

Features

WAN

Support for PPPoE, Static IP, DHCP
WAN Link Health Check
Bandwidth Allowance Monitor
USB 4G/3G Modem Support
Support for Dynamic DNS services
WAN Port Convertible into LAN Port

LAN

DHCP Server for LAN Clients
Extended DHCP Options
DHCP Reservation
DNS Proxy for LAN Clients
VLAN on LAN Support

Advanced QoS

Individual Bandwidth Limit
Application Prioritization
SIP, HTTPS, VPN QoS
Custom Application QoS

Load Balancing

Intelligent Failover
Session Persistence
Per-Service Load Distribution
Multiple Algorithms

Complete VPN Solution

PepVPN/SpeedFusion Bandwidth Bonding
Site-to-Site VPN
Bandwidth Aggregation
Hot Failover
256-bit AES Encryption
Pre-shared Key Authentication
Dynamic Routing
IPsec VPN (Network-to-Network)

Security

Stateful Firewall
DoS Prevention
Web Blocking

Networking

NAT and IP Forwarding
Static Routes
Port Forwarding
Many to One, One to One NAT
NAT Pool
SIP ALG, H.323 ALG
UPnP, NAT-PMP

Captive Portal Support

Support for Wired and Wireless LAN Clients
Support for RADIUS Authentication
Time and Usage Quotas on Open Access Mode
Built-in Customizable Splash Page

Device Management

Web Administrative Interface
Command Line Interface
InControl Cloud Management
Email Notification
Active Client & Session Lists
Bandwidth Usage Statistics
Syslog Service
SNMP v1, v2c and v3

Package Content

MAX HD4
12V4.2A Power Supply
4x Dual Band Wi-Fi Antennas
1x GPS Active Antenna
8x 2dBi 4G LTE Antennas
1 Pair of Mounting Brackets